
LANGFULTON



Italia Corten Steel Louvres

t: 0131 441 1255

sales@langandfulton.co.uk

www.langandfulton.co.uk




With over 30 years experience,
Lang+Fulton is a leading supplier of
architectural gratings and louvres
throughout the UK and worldwide.

In addition to its natural and attractive visual quality,
the distinct USP of Corten Steel is its extraordinary
corrosion resistance, low maintenance, prolonged
longevity and full recyclability.

Italia Corten's attributes therefore align with
sustainable construction principles. By using the
material, architects can contribute to a lower carbon
impact and greener built environment.

Italia Corten - Material Grade
S355JOWP (Corten A); UNI EN 10025-5



The appearance of Corten steel makes it a favoured material for designers and architects.

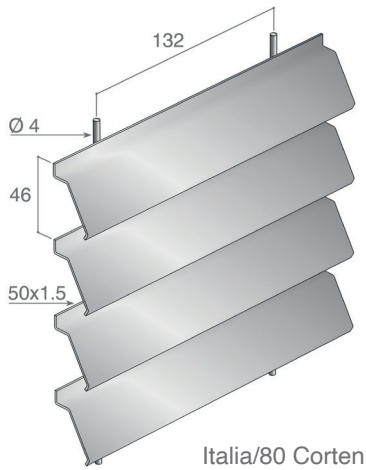
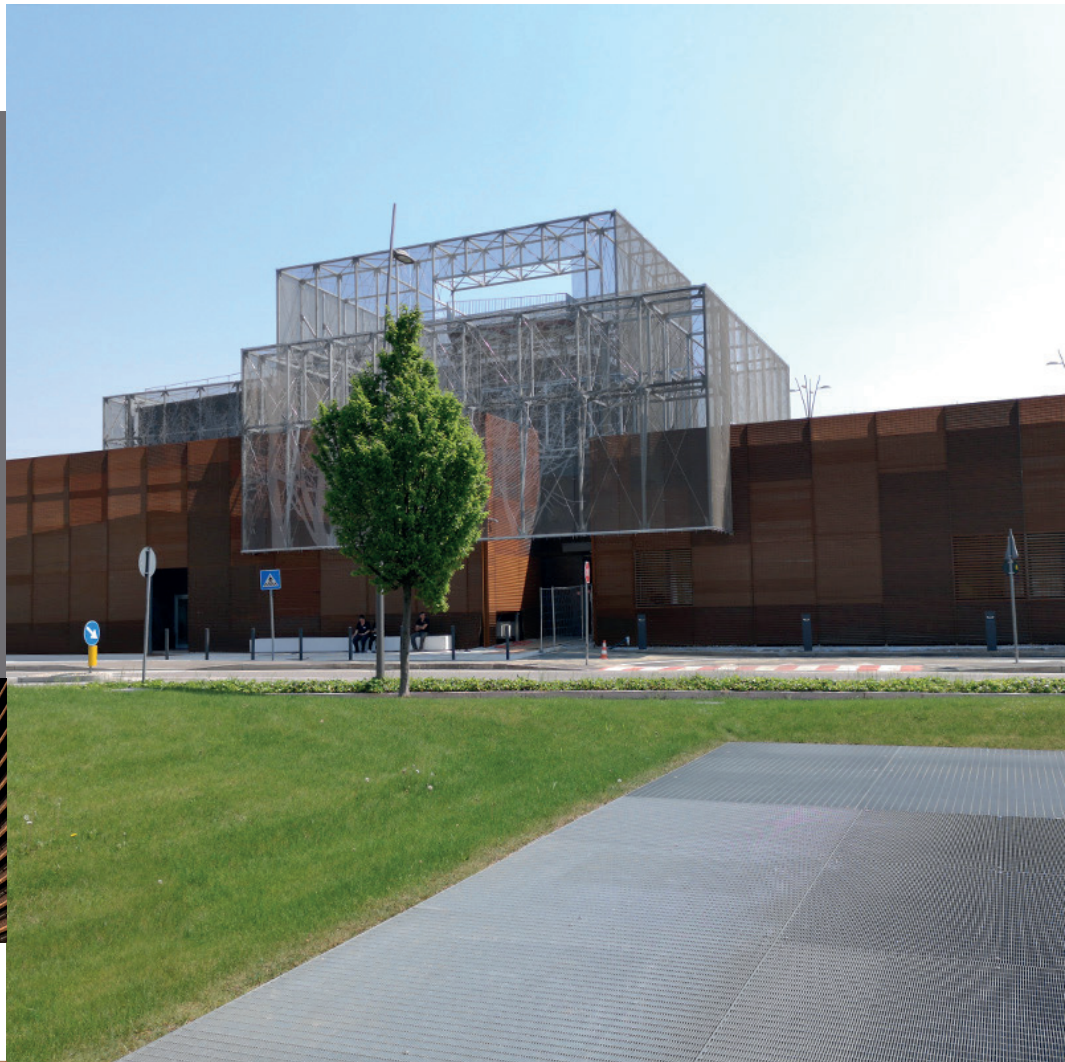
Sympathetic Integration:
Its earthy, reddish-brown hue blends sympathetically with natural landscapes.

Industrial Aesthetic:
In urban environments, its rugged surface provides an appealing juxtaposition with modern materials.

Italia Corten is a unique louvred product which is made in two different profiles for alternative levels of visual screening and ventilation.

Panels are generally made to custom sizes. They can be cut or stacked to create a screen or cladding of any height and width.

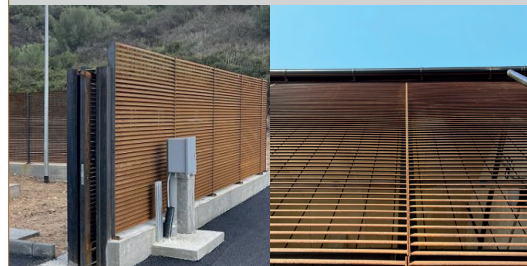
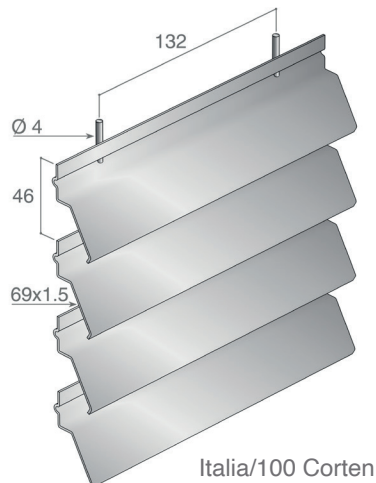
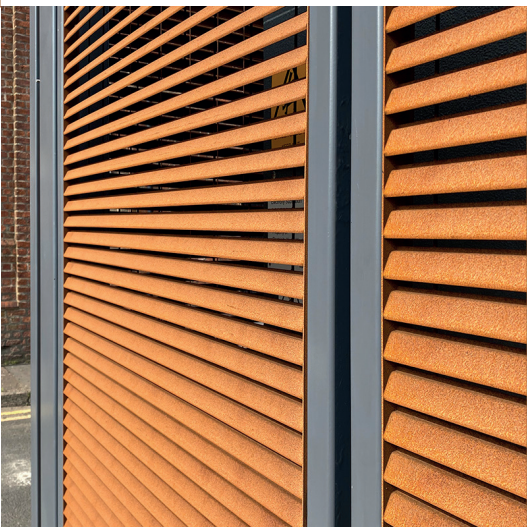
Standard Panel Widths:
1725mm and 1991mm



Italia/100 Corten
Visual Screening: 100%
Free Area: 29%

Italia/80 Corten
Visual Screening: 80%
Free Area: 36%

Panels can be installed on both a horizontal and vertical axis. Vertical panels provide a variable degree of visual screening.



Applications

Lang+Fulton will prepare custom designs for all types of applications including:

- Wall cladding
- Screening partitions
- Bin stores
- Cycle hubs
- Plant housing
- Fencing



Developing the patina

The speed at which the patina develops depends on the climate and environmental conditions. The “ageing” process is enhanced by a pickling process; dipping the steel panels in acid to remove grease, oil, dirt and mill scales.

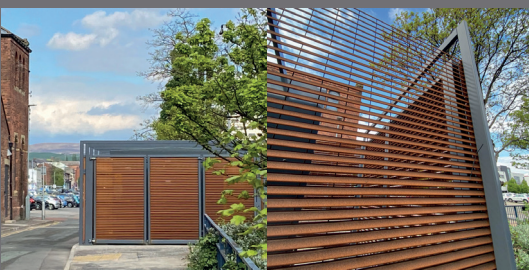
This allows the natural weathering process to oxidize the raw, clean Corten more quickly



Case Study: Ashton Old Baths

A Grade II listed building in Tameside has been transformed into a business hub and data centre. The primary concern of the project was to create a sympathetic dialogue between the historic and the modern.

The architect required a compound to surround and screen the unsightly sub-station, generators, and cooling plant which service the new complex.



Italia/80 Corten louvred panels were selected to match the tonal qualities of the original brick of the Victorian bath house and preserve the sensitive context of the site.

The panels sit between an expressed steel framework, which was hot-dip galvanized before polyester powder coating in a dark grey to reference the area's industrial past. The compound was supplied with a double-leaf and tri-fold gate for access.



Case Study: Fuggles Pocket

The planning application for a new house in the Worcestershire countryside was approved on the basis of exceptional design.

By referencing local Hop kilns and aligning with the focus on materials with a low carbon impact, it is a successful example of architecture that respects both its rural context and modern sustainability considerations.



Key features of the project:

Italia/80 Corten Sun Screening:
Brise soleil on south elevation to reduce glare and heat gain.

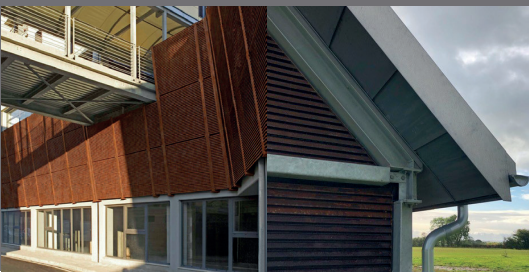
Italia/80 Corten Cladding:
Wall cladding on gable end.

Italia/100 Corten Security Grating:
Security and ventilation around garage area, including sliding door access.



Corten steel louvred panels create a stunning visual effect but correct design and installation is imperative. In order to achieve the desired result.

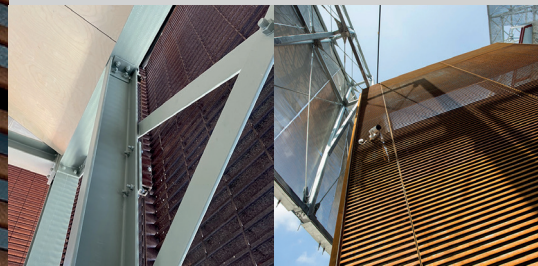
When incorporating Italia Corten panels into a design, it is important to consider weight and structural requirements so that architectural integrity and the longevity of the material are maintained.



Installation recommendations:

The installation location should be well-ventilated and exposed to the weather. Allowance should be made for free airflow and free water run-off from all surfaces.

Brackets and fasteners are typically used to connect to a building's structure for cladding applications. Bolted or screwed connections should be made with acid proof stainless steel.



Open Mesh Gratings

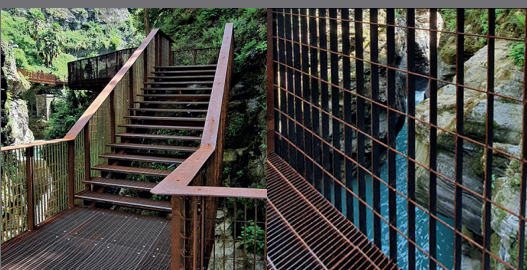
Lang+Fulton can also supply both electrofused and pressure-locked open mesh gratings in Corten.

Gratings are available in a wide range of different aperture sizes suitable for alternative applications, for example:

Heel-proof floor grating (15x76mm)

Stereo-3 balustrade (62x132mm)

Quattro-99 cladding (99x99mm)



Panels of Corten grating are manufactured to custom-sizes and supplied framed with supporting steel work and fixings as required.

All orders are subject to a minimum quantity. This is variable according to each product.

Gabion baskets and tensors are also available in Corten. These are made with either 5.8mm or 3.9mm wire.





LANG+FULTON

Lang & Fulton Ltd, Newbridge Industrial Estate, Newbridge, Edinburgh EH28 8PJ
t: 0131 441 1255 sales@langandfulton.co.uk www.langandfulton.co.uk

Stockholding Depot: Cygnus Point, Black Country New Road, West Bromwich B70 0BD