

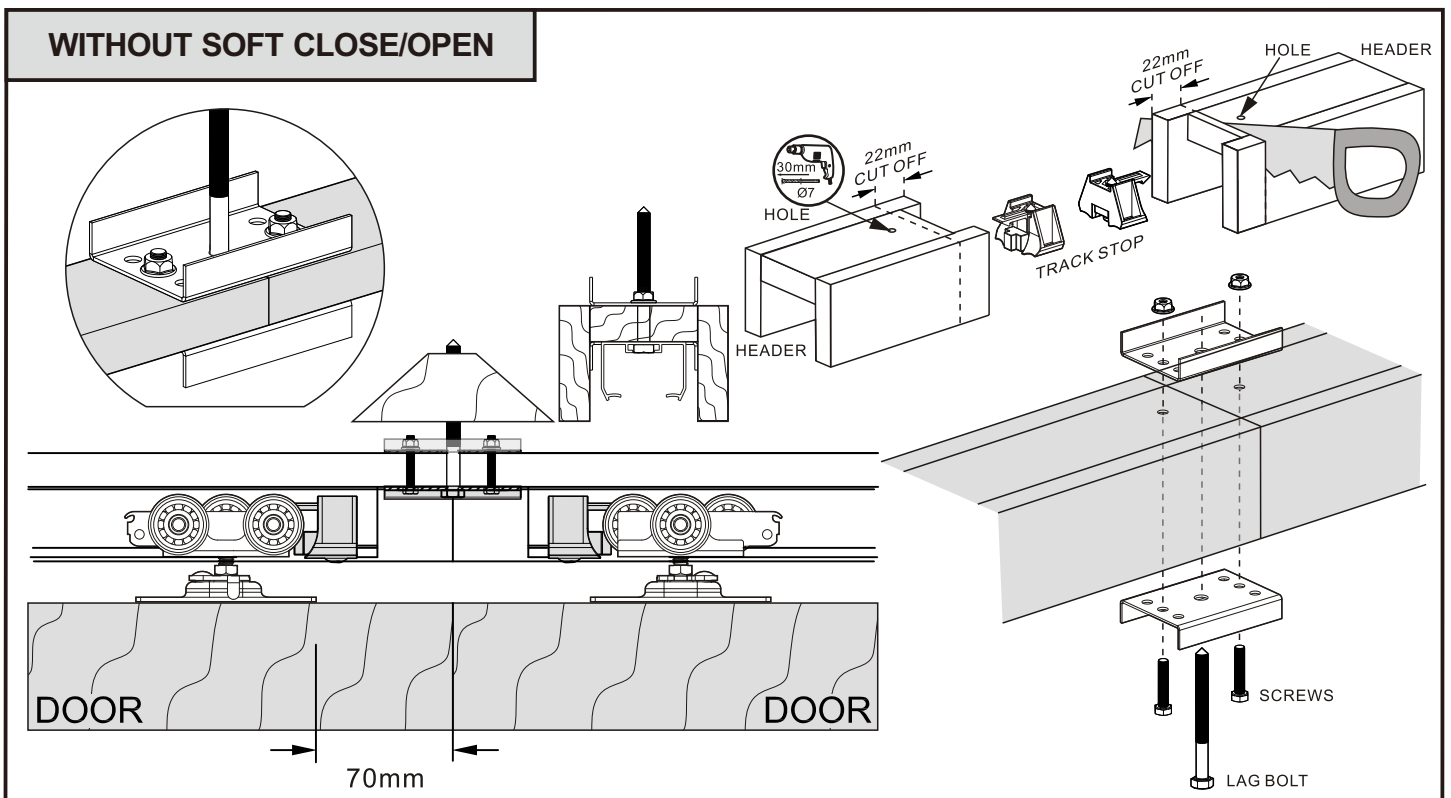
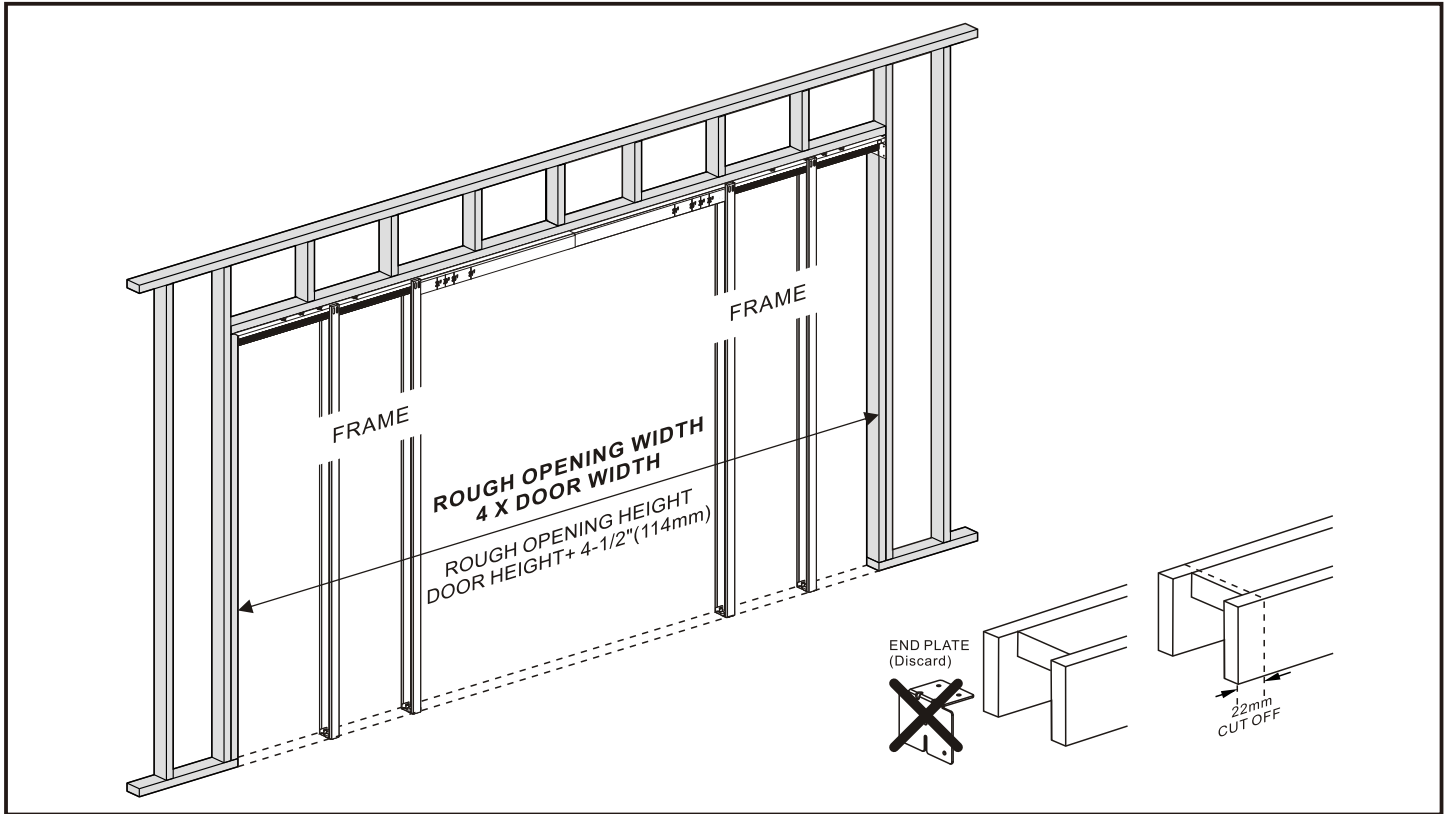
Valto Double Door Connector Installation Manual



runners
SLIDING SYSTEMS

Designed to connect 2 pocket door frame headers together meeting in the middle.
For Use with Aluminum Track
Pocket Door Frame Only

Installation



FOR JOINING TWO POCKET DOOR FRAMES

- Remove and discard end plates from "door opening" end of each header.
- Cut 22mm from length of each header (wood part only) where discarded end plates had been located. Cut ends square to keep header straight when joined.
- Butt cut ends together and insert bottom "U" channel, aligning cut ends of headers with mark stamped in channel.
- For applications WITHOUT SOFT CLOSE/OPEN, using channel as guide, drill two 4.7mm holes (one each side) through headers at outer channel holes.
- For applications WITH SOFT CLOSE/OPEN using channel as guide drill four 4.7mm holes (two each side) through headers at outer channel holes.
- Insert screws through these holes and into top channel on top of header. Tighten and form a one-piece header.
- Drill a 6.3mm hole at channel center where header ends meet to enable the lag screw to be fastened into rough header for increased center support.

WITH SOFT CLOSE/OPEN

