

technical datasheet



Corden EPS GRM

Description

Corden EPS GRM is a high performance self adhesive waterproofing and gas resistant membrane constructed from a polymer modified bitumen compound and incorporating an aluminium carrier film.

Corden EPS GRM will provide a continuous waterproofing/tanking system for basements and substructures. Corden EPS GRM should be used in conjunction with Corden EPS Prime to ensure a suitable bond.

Application

- Foundations
- Basements
- Vertical and horizontal use
- Subways

Product Specification

Physical Description	Test method	Value/Units
Thickness		1.2 mm
Weight		25k
Colour		Black
Standard roll width		20m
Technical Performance		
Tensile strength (Longitudinal)	(ASTM D638)	292 N/ 50mm
Tensile strength (Transverse)	(ASTM D638)	321 N/ 50mm
Elongation (Longitudinal)	(ASTM D638)	43%
Elongation (Transverse)	(ASTM D638)	23%
Puncture Resistance		262 N
Hydrostatic Head Resistance	(ASTM D5385-93)	100 metre
Methane Gas Resistance		<0.03 g/m ² /day
Radon Diffusion Co-efficient		NRPB-m ² /5 5.0 10-14
Adhesion to primed concrete		5.8 N/mm

Design Criteria

Where methane is present, a comprehensive site survey needs to be carried out and the building constructed accordingly. Refer to Building Research Establishment Report 212 for further information.

Corden EPS GRM should be laid in accordance with the provisions of BUS 8102:1990.

All wall/floor intersections and internal/external angles should be reinforced with 300 mm wide strips of Corden EPS GRM membrane.

Where possible, a 25 mm chamfer should be provided to all external angles prior to the application of the reinforcing strip.

Where Corden EPS GRM is being used as a floor DPM, there should be continuity with wall DPC's and other DPM's used in the structure.

Corden EPS GRM should be protected using Easi-Pak Protection Board before covering with back-fill or concrete.

Advantages

- Cold applied
- Methane and radon resistant
- Suitable for waterproofing basements grades 2, 3 and 4 as defined in BUS 8102:1990 'Protection of Structures Against Water from The Ground'
- Factory controlled thickness
- Flexible
- Resistant to ground water sulphates and chlorides

Application Instructions

Surface preparation

All concrete surfaces must be a wood float or shutter finish and free from cavities or projections. All surfaces must be clean, dry and free from contamination, ice and frost.

Priming

Vertical and suspended slab surfaces shall be primed with Corden EPS Prime. Ensure complete coverage and allow to dry. Only prime an area to which the Corden EPS GRM can be applied the same day. Very porous surfaces may require more than one coat of primer.

Angle and Corner Details

Use Corden EPS Fillet strips fixed using Easi-Bitumastic at all wall to floor junctions.

All internal and external angles should be reinforced with a 300 mm wide strip of Corden EPS GRM. Where possible, a 25 mm chamfer should be provided to external angles.

Application

Application temperature range 5°C to 35°C.

Vertical application: Cut the Corden EPS GRM to length allowing 150 mm for the end laps and position by peeling back the release paper and applying the self adhesive face to the prepared surface.

Start at the top of the wall and work down by progressively removing the release paper in stages. Corden EPS GRM should be applied to ensure that all end laps are weathered.

In cold weather, a temporary batten support of the Corden EPS GRM membrane is recommended.

Horizontal application: Completely unroll the Corden EPS GRM membrane and place against a chalk line. One half of the roll should then be rolled up to the mid point, the release paper carefully cut without damaging the Corden EPS GRM membrane and progressively removed from the mid point out to the end of the roll.

This process should be repeated on the other half of the roll. The Corden EPS GRM membrane should be brushed onto the surface to ensure good bonding.

The next roll or length is aligned against the previously applied piece allowing for the 50mm minimum (or as specified) edge laps and 150mm end laps and applied as stated previously. The edge and end laps should be rolled to ensure complete adhesion and continuity between the layers.

Protection

Corden EPS GRM membrane should be protected from physical damage and weathering as soon as possible after application. Surfaces should be protected from damage by Easi-Pak Protection Board.

Corden EPS GRM can also be covered with Corden EPS Filtra Drain to give both protection and a drainage layer.

Supply

Corden EPS GRM 20m² rolls • Corden EPS GRM 300mm Reinforcing Strip 20m rolls.

Storage

Corden EPS GRM should be stored upright avoiding direct sunlight at a temperature between 5°C and 40°C.

Associated Products

Corden EPS Prime 5 and 25 litre containers (coverage 6m²/litre approx.)

Corden EPS GRM Reinforcing Strip

Easi Pak and Easi Pak LW

Protection Boards

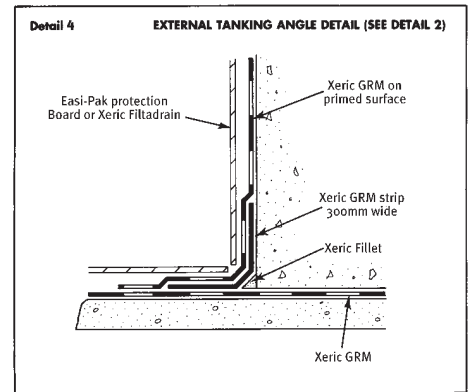
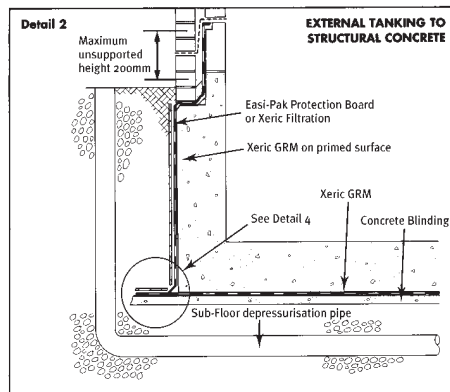
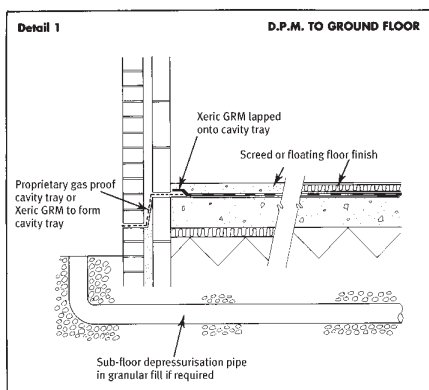
Corden EPS Fillet

Easi-Bitumastic

Easi-GR Tape

Health and Safety

There are no known health hazards associated with Corden EPS GRM in normal use. Refer to Health & Safety Data Sheet.



industrial estate south, park road, calverton, nottingham ng14 6bp

tel 0115 965 6111 fax 0115 965 5151 email sales@cordengroup.co.uk web www.cordengroup.co.uk

'Corden EPS' branded products are guaranteed by Corden Group Ltd against defective materials and manufacture. We cannot however accept any liability arising from the application or use of our products because we have no direct or continuous control over where and how our products are used. All products are sold subject to our conditions of sale, copies of which may be obtained on request.